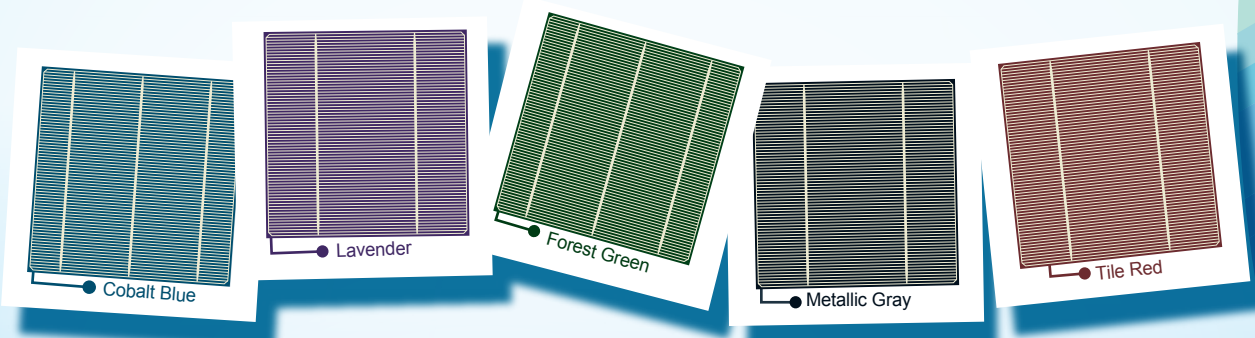


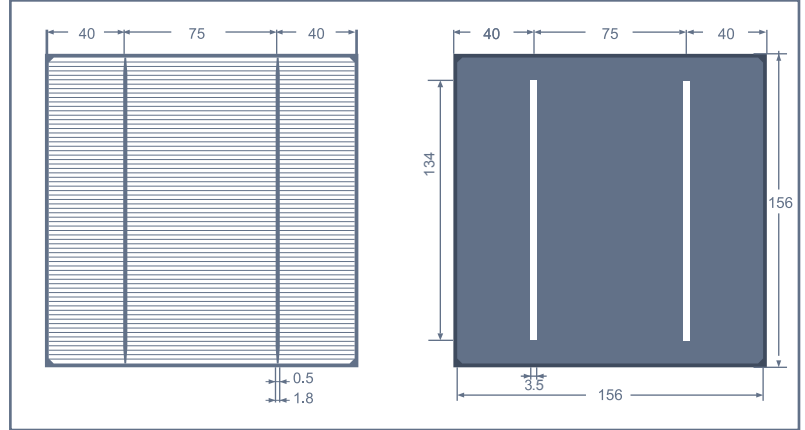
# Rainbow Cell

6" Multicrystalline  
Solar Cell



## 2BB

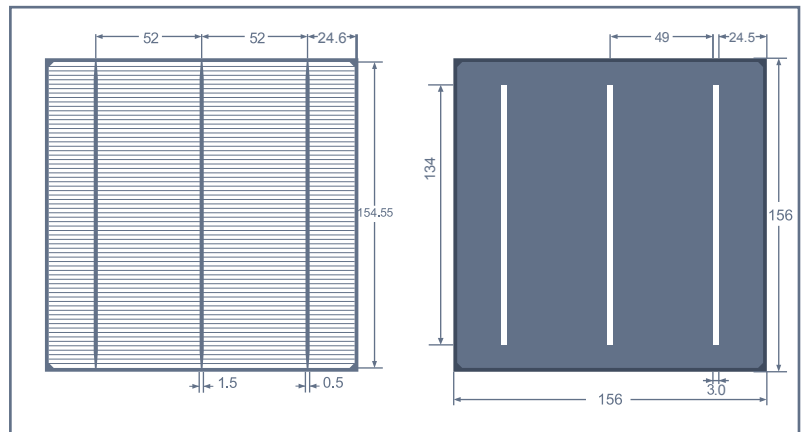
Physical Characteristics	
Dimension	156 mm x 156 mm ± 0.5 mm
Thickness (Si)	180 μm - 20 / + 30 μm 200 μm ± 30 μm
Front Side (-)	Silicon nitride anti-reflection coating 1.8 mm silver busbar
Back Side (+)	Full surface aluminum back surface field 3.5 mm (silver) soldering pads



Class	Efficiency Range (%)	*Rated Power (Wp)	*Maximum Power Current (A)	*Short Circuit Current (A)	*Maximum Power Voltage (V)	*Open Circuit Voltage (V)	Module Power
153	15.3~15.4	3.773	7.05	7.52	0.528	0.632	>230W

## 3BB

Physical Characteristics	
Dimension	156 mm x 156 mm ± 0.5 mm
Thickness (Si)	180 μm - 20 / + 30 μm 200 μm ± 30 μm
Front Side (-)	Silicon nitride anti-reflection coating 1.5 mm silver busbar
Back Side (+)	Full surface aluminum back surface field 3.0 mm (silver) soldering pads



Class	Efficiency Range (%)	*Rated Power (Wp)	*Maximum Power Current (A)	*Short Circuit Current (A)	*Maximum Power Voltage (V)	*Open Circuit Voltage (V)	Module Power
153	15.3~15.4	3.773	7.02	7.43	0.530	0.630	>230W
158	15.8~15.9	3.845	7.35	7.80	0.523	0.625	>240W

Test condition: 1000 W/m<sup>2</sup>, AM1.5, 25 °C Power measuring tolerance: ± 1.5 % rel.

\*Data & drawing for reference only.